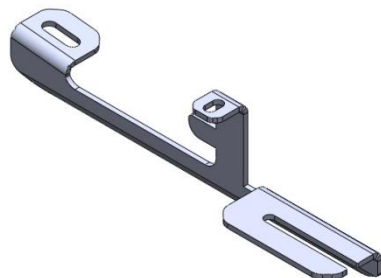
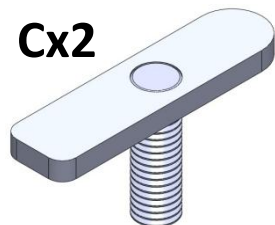


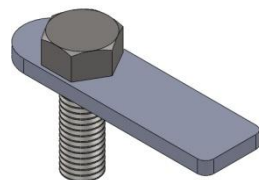
Ax2



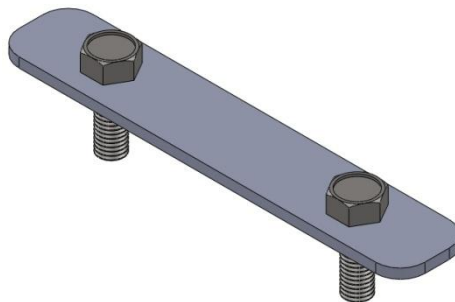
Bx2



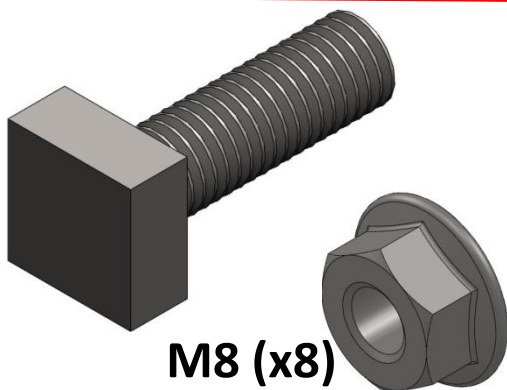
Cx2



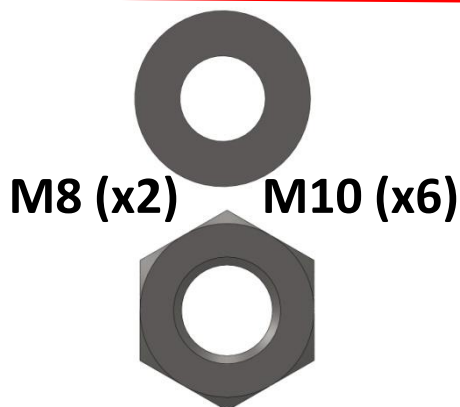
Dx2



Ex2



M8 (x8)



M8 (x2)

M10 (x6)



FIAT 500L RUNNING BOARD

TR MONTAJ TALİMATI

F INSTRUCTIONS DE MONTAGE

NL MONTAGEHANDLEIDING

H FELSZERESLESI UTASITÁS

D EINBAUANLEITUNG

CZ POKYNY PRO MONTAZ

ESP INSTRUCCIONES DE MONTAJE

GB FITTING INSTRUCTIOS

P INSTRUCOES DE MONTAGEM

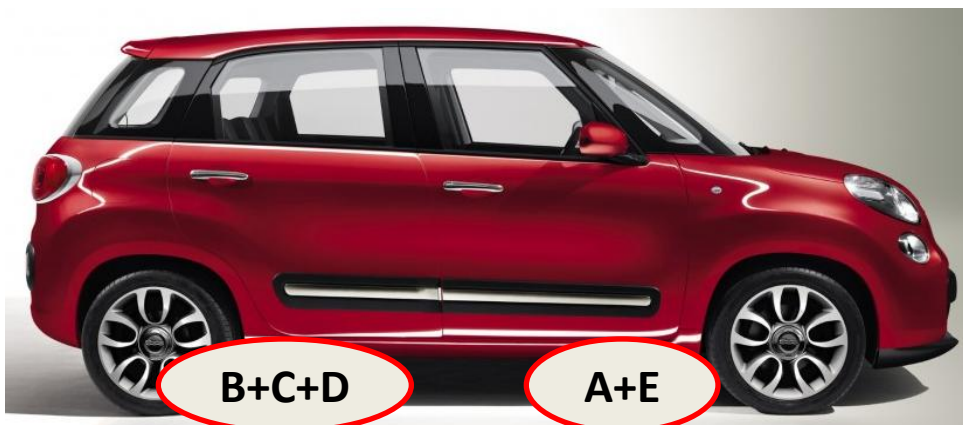
PL INSTRUCJE WBUDOANIA

ENG MOUNTING INSTRUCTIONS

SWE MONTAGEANVISNING

SLO NAVODILA ZA INSTALACIJO

RU Инструкция по установке



B+C+D

A+E

FRONT BRACKET



REAR BRACKET

